

WY15 CONVEYOR BELT SCALE

WEIGH THE ADVANTAGES

Keeping with the Tecweigh tradition of unbeatable accuracy, dependability and ease of use leads us to combine our unique time and labor saving belt scale features with strain gauge load cell technology in our WY15 Conveyor Belt Scale.

Featuring two precision NTEP approved strain gauge load cells, the WY15 conveyor belt scale is more reliable, more durable and easier to use than the competition's scale. We back it all up with our five year warranty, the longest warranty in the industry. Coupling this with Tecweigh's twenty-four hour service hotline, our unique repair program and local service representation keeps you up and running and provides the best value in the business.

Thoughtful design eliminates common problem areas. Tecweigh's one-piece welded construction keeps your line rolling even in the most extreme conditions: dust, dirt, rocks, and harsh weather. The WY15 scale can be easily modified for explosion proof applications and it can be plated or manufactured from stainless steel for corrosive environments.

Tecweigh's simple two-step calibration process, utilizing our standard self-storing calibration weights, makes calibration easy and safe... no need for calibration chains or hang-on weights.

Any one of Tecweigh's complete family of dedicated weight processors, all featuring embedded microprocessor technology, can be combined



User friendly WP20 Weight Processor

with the WY15 scale giving years of trouble free service. They are all easy to calibrate, user-friendly and durable.

Choose the model and construction that best suits your application. The WY15 single idler scale delivers accuracy of $\pm 1/2\%$ in standard belt widths from 18" to 72" (larger models available). The dual idler WY25 will deliver $\pm 1/4\%$, if increased accuracy is what you require.



WY15



Features

- Two (2) precision NTEP approved strain gauge load cells provide precise measurement
- Weather resistant, stands up to years of rugged use
- Also suitable for light belt loading applications
- Single, dual and four idler models
- Fast, easy installation

Self Storing Calibration Weights

- No bulky chains or awkward hang-ons
- Calibration is quick, easy and safe



STANDARD SPEED SENSOR



OPTIONAL HEAVY DUTY SPEED SENSOR

Electronic Weight Processor

- Embedded microprocessor technology
- Auto zero/auto span makes calibration quick and easy
- Bright, easy to read, 1/2" LED display
- Full time self diagnostics
- Optional multi-scale processor, feed rate controller and load controller
- All processors provide 4-20 mA analog rate, totalizing pulse relay, remote interlock/reset, RS232/RS485 ports and more

Other Options

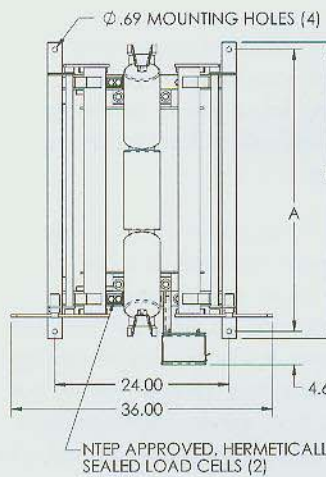
- *Wireless Communication*
- *Industrial Network Protocols* (Modbus, Profibus, Ethernet, Devicenet, Allen Bradley R I/O, etc.)
- Chart recorders, data loggers
- Ticket, tape printers
- Scoreboard displays
- Remote rate/total displays

The Longest Warranty in the Industry

Every Tecweigh® Conveyor Belt Scale is covered by our exclusive five year warranty!

MODEL WY15-BW

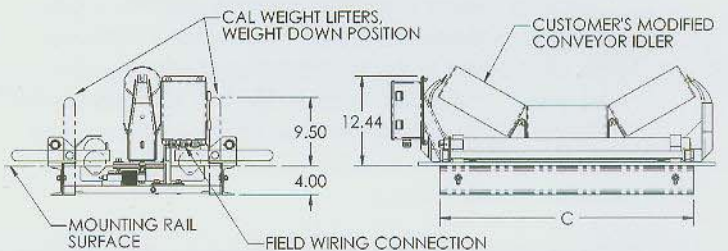
SINGLE IDLER CONVEYOR BELT SCALE



BW BELT WIDTH	A	B	C	*APPROX. SHIPPING WEIGHT
18	27	29	23	280 lbs
24	33	35	29	315 lbs
30	39	41	35	350 lbs
36	45	47	41	385 lbs
42	51	53	47	415 lbs
48	57	59	53	450 lbs
54	63	65	59	495 lbs
60	69	71	65	540 lbs
72	81	83	77	675 lbs

* INCLUDES MODIFIED CONVEYOR IDLER, WEIGHT PROCESSOR, STD SPEED SENSOR AND DOMESTIC CRATING.

LARGER BELT WIDTHS AND MULTIPLE IDLER MODELS ARE AVAILABLE



TECWEIGH®
Tecnetics Industries, Inc.

1811 Buerkle Road · Saint Paul, MN 55110
1-800-536-4880 · 651-777-4780 · FAX 651-777-5582

E-mail: sales@tecweigh.com

Web: www.tecweigh.com

In Australia contact:
Tecweigh Proprietary Ltd.
Phone +613 95480922
Web: www.tecweigh.com.au