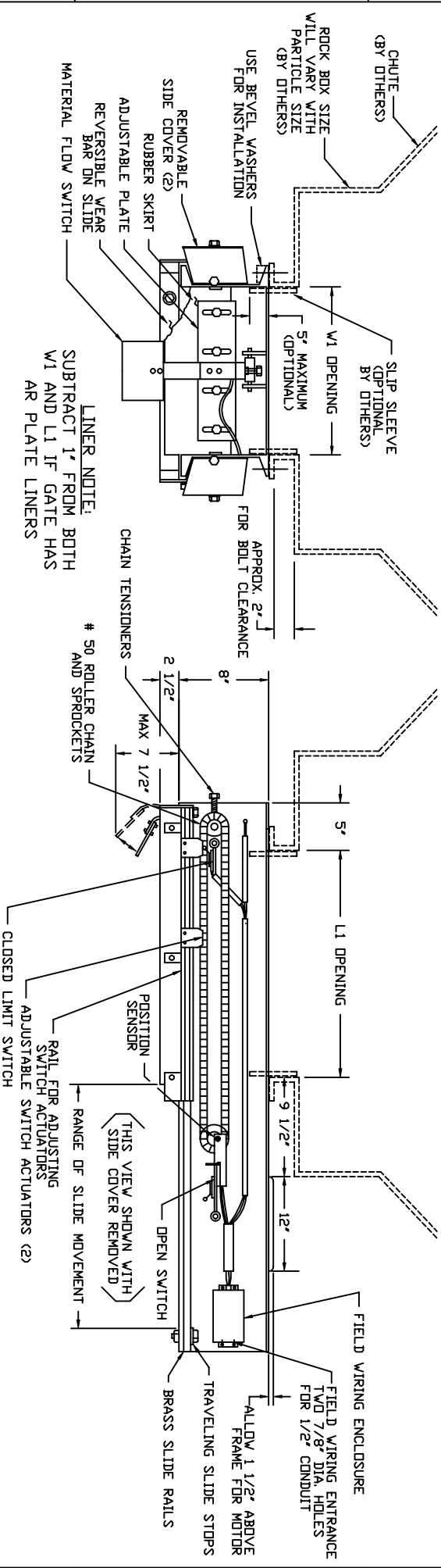
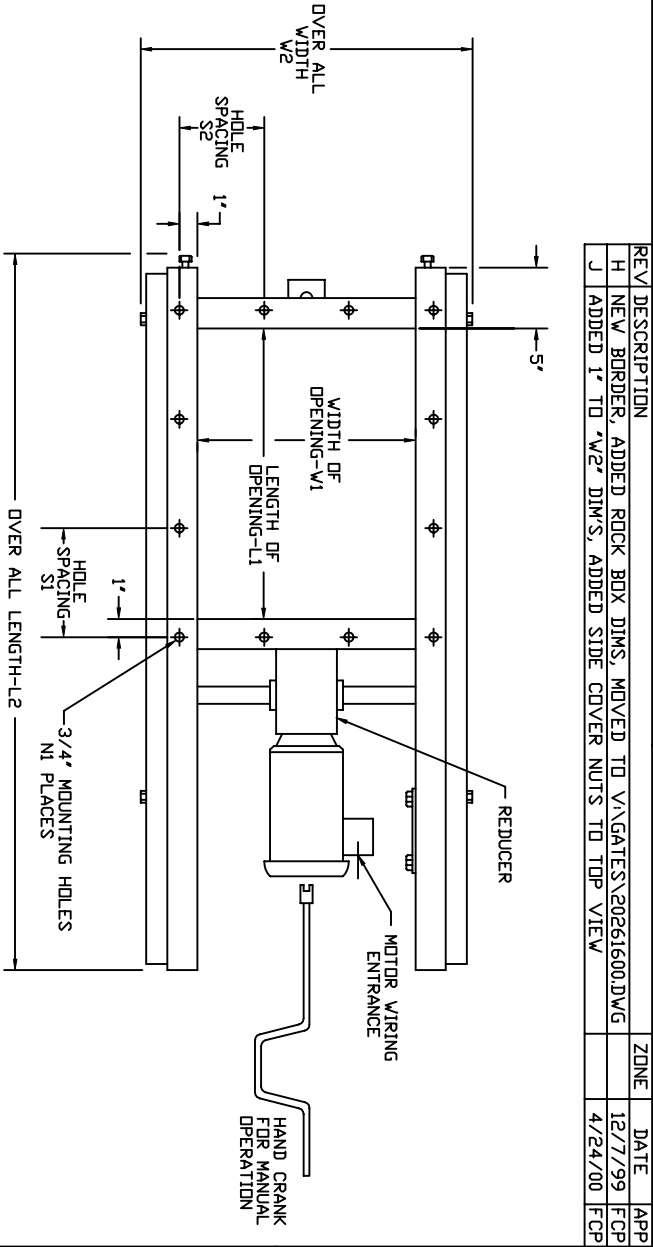
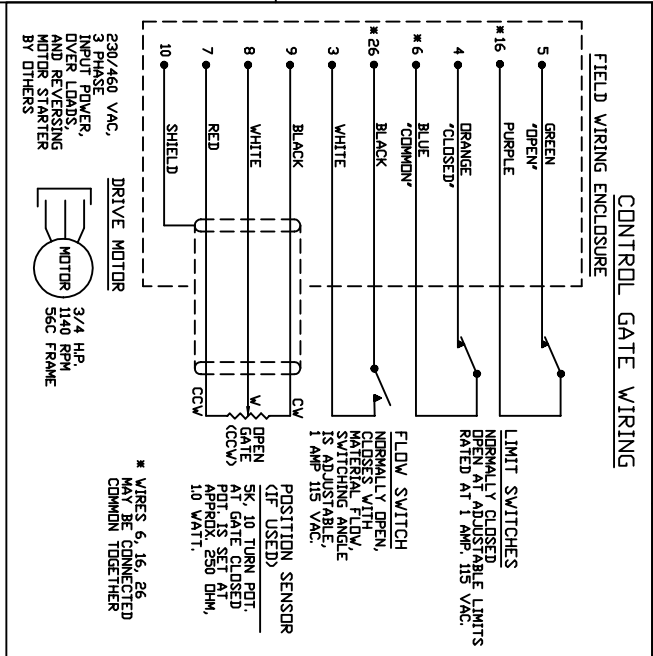


REV	DESCRIPTION	ZONE	DATE	APP
H	NEW BORDER, ADDED ROCK BOX DIMS, MOVED TO V:\GATES\20261600.DWG		12/7/99	FCP
J	ADDED 1" TO W2 DIM'S, ADDED SIDE COVER NUTS TO TOP VIEW		4/24/00	FCP



DIMENSIONS IN INCHES

MODEL NO.	W1	L1	N1	S1	S2	L2	W2
CG10-01-0812	8	12	6	7	10	41	18
CG10-01-1216	12	16	6	9	14	45	22
CG10-01-1622	16	22	12	8	6	57	26
CG10-01-2028	20	28	14	7.5	7.33	69	30

LEGWENGH  
Technics Industries, Inc.

1811 BUECKLE RD  
ST PAUL, MN 55110  
PH 651-777-4780  
FX 651-777-5582

THIS DRAWING IS THE PROPERTY OF LEGWENGH AND IS NOT TO BE REPRODUCED OR TRANSMITTED IN ANY FORM OR BY ANY MEANS, ELECTRONIC OR MECHANICAL, WITHOUT PERMISSION OF LEGWENGH.

CHECKED BY: JT  
DATE DRAWN: 2/14/91

DIMENSIONS ARE IN INCHES  
TOLERANCES ARE AS SPECIFIED UNLESS OTHERWISE SPECIFIED

A = ±.005  
B = ±.015  
C = ±.030  
D = ±.060  
E = ±.125  
ANGLES = ±.5°

DO NOT SCALE THIS DRAWING  
REMOVE ALL BURRS AND UNNECESSARY SHARP EDGES

TITLE	DATE CHECKED	SCALE	JOB NUMBER	SIZE	DRAWING NUMBER	SHEET	REV
OUTLINE DIMENSIONS CONTROL GATE, CG20-01 LH SHOWN (RH OPPOSITE)		NONE		A	20061600	1 OF 1	J